

# Dynamic Lifter<sup>®</sup>

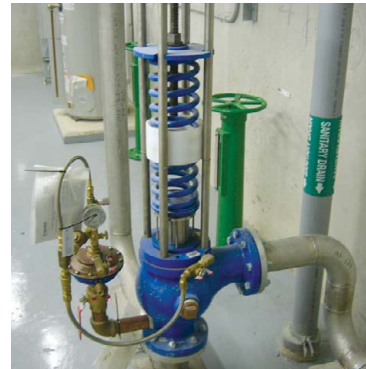


# SINGER®

a **MUELLER** brand

## OUTSMART SURGES!

The patented Dynamic Lifter® is a direct-acting spring-loaded relief valve that opens when the inlet pressure exceeds the set-point. It closes drip-tight when pressure falls below the set-point. The valve can be serviced easily by applying external pressure (such as a hand pump) to the test connection, opening the valve for routine maintenance. Available in two versions: Spring or Air Operated. The air actuated design is used for higher relief pressures or when pressurized air actuation is preferred. Also, because of its smaller profile, it is ideal for applications with space limitations.



REGION OF YORK (NOBLETON) INSTALLATION ONTARIO, CANADA

## MODEL A-106-DL – DYNAMIC LIFTER® SPRING PRESSURE RELIEF VALVE

Traditional design of relief valves for sewage service has not changed for many years. The Singer Valve Dynamic Lifter® is an established and patented product, designed for minimum (hygienic) maintenance with assurance that it will open quickly and consistently when needed.

- Operating oil is separated from sewage by the chamber and diaphragm isolator (2).
- System pressure is applied to piston (1A) by mineral oil and isolator (2).
- Piston and closing speed controls operate in clean non-contaminating environment.

### Benefit: Low maintenance.

- System (over) pressure is applied to the opening piston (1A) throughout the full stroke.
- Allows more relief flow as it does not lose opening force as the inner valve leaves the seat.

## CLIENTS WHO USE THE DYNAMIC LIFTER

- Public Service Commission, Tijuana, Mexico
- Halifax Regional Municipality, Nova Scotia, Canada
- Hamilton, and Regions of Halton and Peel, Ontario, Canada
- Borough of Phoenixville, Pennsylvania

### Benefit: Smaller size and reduced cost.

- By closing valve (4), external pressure may be applied through port (9) and on to piston (1A) by the mineral oil opening of the Dynamic Lifter (1).
- Even a tire pump or compressed air may be used to open the valve and check the relief setting or flush stringy material from the seat.

### Benefit: Hygienic and minimal time to flush and test operations.

- Where conventional spring operated valves allow build-up of waste-water residue (dry pack) on the valve's downstream and exhaust pipe to sump, our A106-DL can easily be opened fully, through the actuator, to flush out these unwanted build-ups.

### Benefit: Ease of maintenance.

- Heat fused, heavy epoxy coating inside and out, 316 stainless steel seat (1C) and stem (1B). The stem is also oxy-nitride coated to reduce mineral or debris build-up.

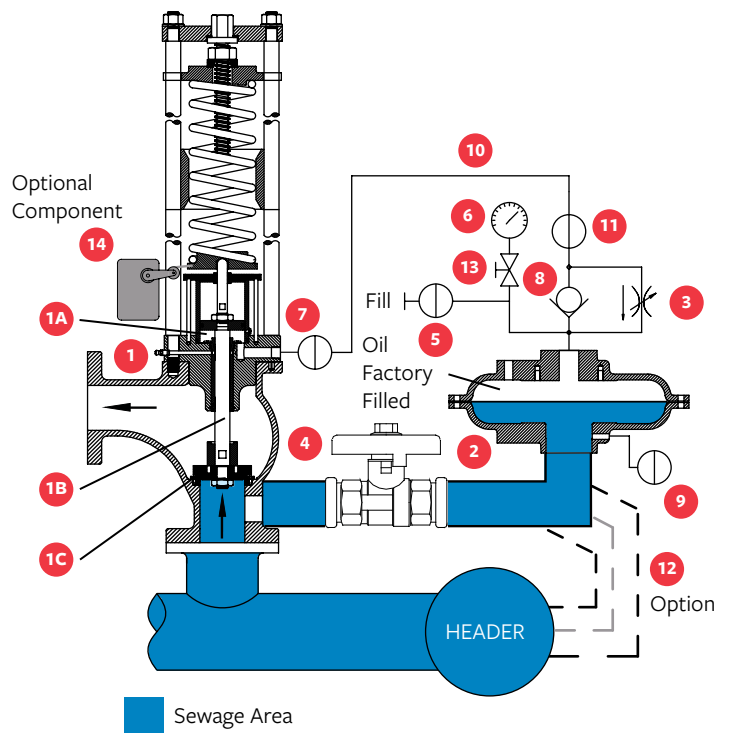
### Benefit: Premium materials and coating reduce maintenance and provide the lowest long-term cost of ownership.



A106-DL

# DYNAMIC LIFTER<sup>®</sup> PRESSURE RELIEF VALVE

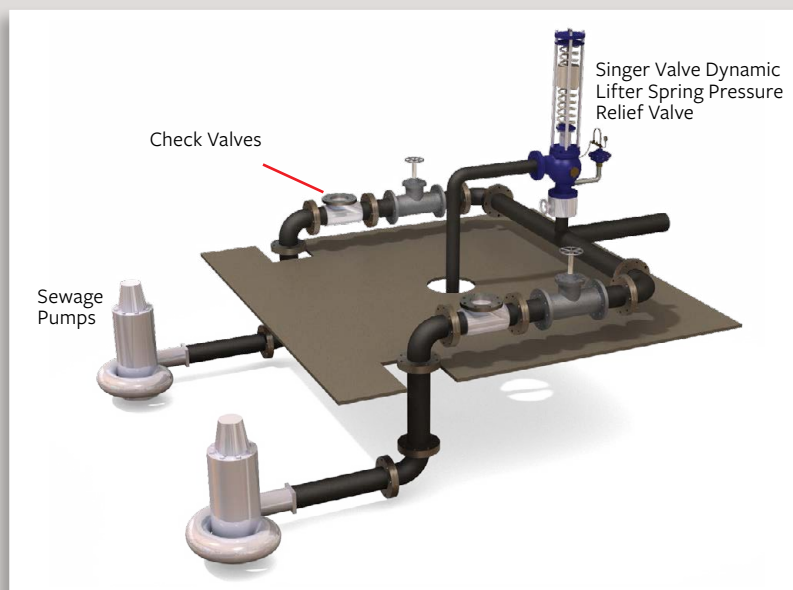
NO.	PART
1	Model A106-DL - Body (1A) Piston, (1B) Stem, (1C) Seat
2	Chamber and Diaphragm Isolator
3	Closing Speed Control Needle Valve
4	Isolating Valve
5	Oil Fill Isolating Valve
6	Pressure Gauge
7	Isolating Valve
8	Swing Check Valve
9	Isolating Valve - External Pressure for Test and Flush Cycle
10	3/8" NPT Flexible Hose
11	Isolating Valve
12	(Optional) Field Connection By Others
13	Model 852B Gauge Cock
14	(Optional) Limit Switch



AVHL18 DYNAMIC LIFTER SINGER VALVE | VALVES & HYDRANTS | PG.3

## TYPICAL APPLICATION

Application drawing is applicable to both A-106-DL And A-106-DL-Air.



# DYNAMIC LIFTER<sup>®</sup> PRESSURE RELIEF VALVE

## MODEL A-106-DL-AIR – DYNAMIC LIFTER<sup>®</sup> AIR OPERATED PRESSURE RELIEF VALVE

## MODEL A-106-DL-AIR-ET – SURGE ANTICIPATING ELECTRONICALLY TIMED DL PRESSURE RELIEF VALVE

A compact sewage relief valve that is suitable for high pressures, responds very quickly and retains all the features and benefits of the Spring-Hydraulic version. It is an attractive solution to what may be otherwise a difficult application due to higher pressures or space (height) limitations.



A106-DL-ET

- Operates using separate compressed air supply
- An inexpensive 120 psi (8.3 bar) air compressor may be used for 200 psi (13.8 bar) or higher relief pressures by using a large diameter closing piston (1A).

### Benefit: Inexpensive Control Source for large pressure range.

- Using a chamber and diaphragm isolator (8), an accurate hydraulic pilot (4) opens reliably and repeatedly at its set pressure (gauge 5A).
- Full operational (including pilot) check is quickly and cleanly performed by closing valve (7) and applying pressure at (2C). For quick flush open (3B).

NO.	PART
1	Model A106-DL-Air - Body (1A) Piston, (1B) Cylinder
2	Isolating Valves (2A, 2B, 2C, 2D)
3	Needle Valve (3A, 3B)
4	Relief Pilot: 81-RP
5	Pressure Gauge (5A, 5B)
6	Fixed Restriction
7	Isolating Valve - Sewage
8	Chamber and Diaphragm Isolator
9	Check Valve, J0040A
10	Bleed Valve
11	Air Supply
12	Optional Solenoid
13	Optional Solenoid
14	Optional Limit Switch Assembly

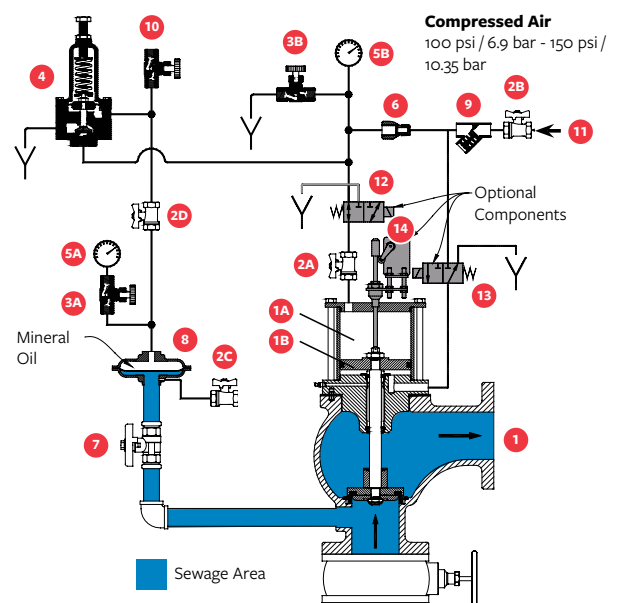
### Benefit: Operation check of all components with flushing is quick and sanitary.

- As an option, two 3-way solenoids (12, 13) may be included to force the valve open on power failure. A backup control panel is required to time the reclosure.

### Benefit: The solenoids convert the relief valve function to a surge anticipating valve if needed, particularly if there is a risk of the system going sub-atmospheric. Air pressure through solenoid (13) holds the valve open until closed by the electrical controls.

- The check valve (9) maintains air in the operating cylinder (1B) should the air supply fail.
- Provided the air supply is above minimum, variations in pressure do not affect the valve operation, which is controlled independently by the accurate pilot (4).

The main valve (1) is constructed of the same premium materials as the Hydraulic Dynamic Lifter<sup>®</sup> for long life and minimum maintenance.

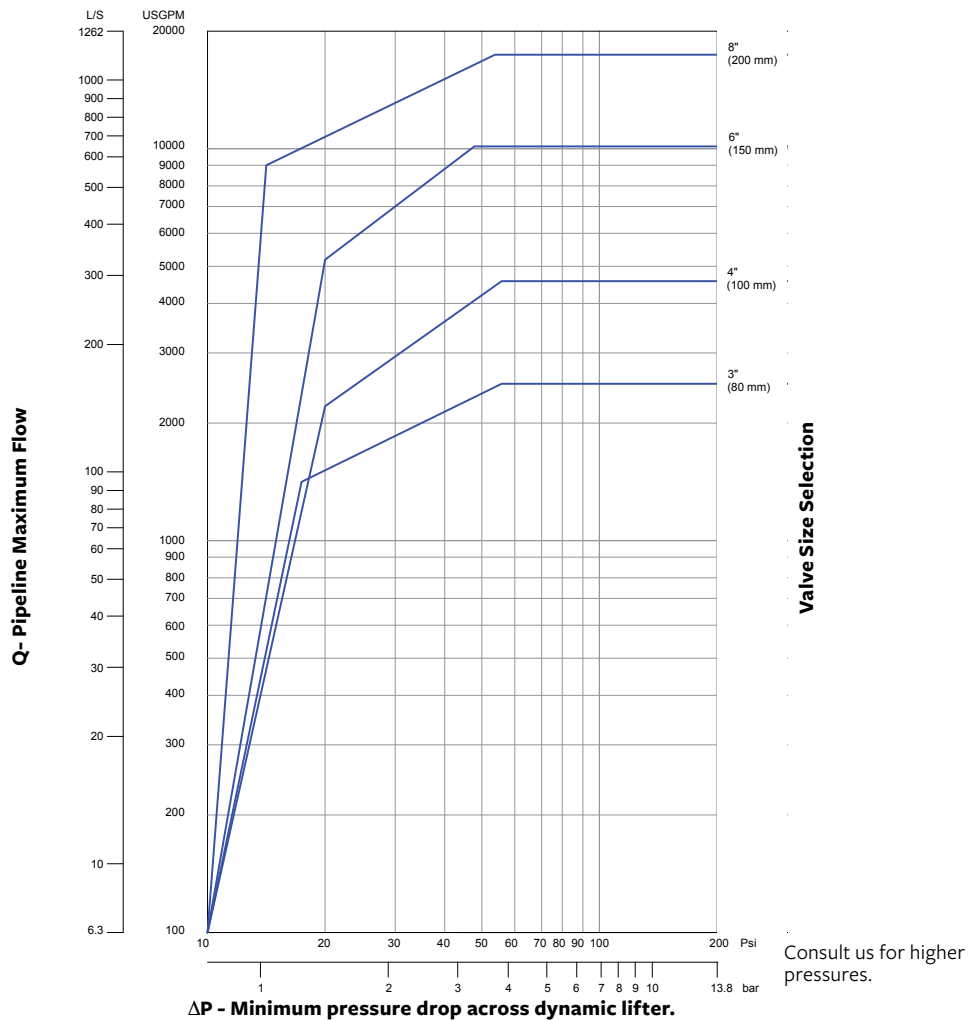


Note: Alternate orientation option available – consult with factory.

# DYNAMIC LIFTER<sup>®</sup> PRESSURE RELIEF VALVE

## DYNAMIC LIFTER SIZING GRAPH CURVE: 3" / 80 MM - 8" / 200 MM

Conventional relief valves for sewage are typically sized "larger" than a Singer Valve Dynamic Lifter due to opening forces being lost as the inner valve leaves the seat.



Examples of valve size selection:

- 1) Relief setting 80 psi / 5.5 bar - discharge to atmosphere: Max. flow in main pipeline 1,200 USGPM / 75.7 l/s - Find intersect of 80 psi / 5.5 bar ΔP and 1200 USGPM / 75.7 l/s flow. Select next larger size Dynamic Lifter, for example, 3" / 80 mm size.
- 2) Relief setting 55 psi / 3.8 bar - discharge 20 psi / 1.38 bar back pressure: Max. flow in main pipeline 4,000 USGPM / 252.4 l/s Find intersect of 55 psi - 20 = 35 psi / 2.4 bar ΔP and 4000 USGPM / 252.4 l/s flow. Select next larger size Dynamic Lifter, for example, 6" / 150 mm size.

Note:

- If the discharge was to atmosphere, ΔP = 55 psi / 3.8 bar and 4" / 100 mm size would be selected.
- This graph is based on current practice for standard applications. It is intended to be a guide only and no selection guarantee is implied or intended.

# DYNAMIC LIFTER<sup>®</sup> PRESSURE RELIEF VALVE

## Valve Sizing and Measurements

### A106-DL ANSI DATA (US UNITS)

#### SINGLE SPRING STACK

#### DOUBLE SPRING STACK

#### AIR OPERATED

Size	3"	4"	6"	8"	6"	8"	3"	4"	6"	8"						
Relief Settings (psi)																
Spring Specific Ranges	Min	Max	Min	Max	Min	Max	Min	Max	Min	Max	-	-	-	-		
	25	90	20	65	15	30	10	15	40	90	30	50	-	-	-	-
	70	200	60	145	25	60	15	30	90	160	50	80	-	-	-	-
Pressure Ranges	-	-	-	-	-	-	-	-	-	-	Options Available up to 200 psi, consult with us					
Lift / Opening	2"	2"	2-1/2"	3"	2-1/2"	3"	2"	2"	2 1/2"	3"						
Dimension A	9"	10"	11.5"	14"	11.5"	14"	9"	10"	11.5"	14"						
Dimension B	38.5"	39.5"	43.75"	45.75"	25.25"	26.75"	22.5"	23.5"	25.5"	28.88"						
Dimension C	30.5"	30.5"	32"	32"	32"	32"	30.5"	30.5"	32"	32"						
Dimension D	4.75"	5.75"	7.5"	10"	15.25"	18.25"	4.75"	5.75"	7.5"	10"						

### A106-DL ANSI DATA (METRIC UNITS)

#### SINGLE SPRING STACK

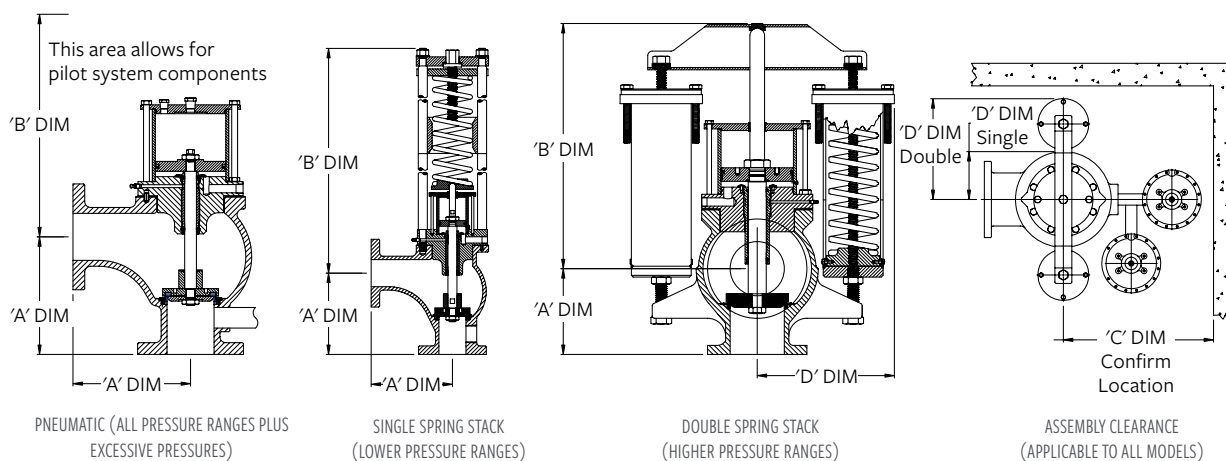
#### DOUBLE SPRING STACK

#### AIR OPERATED

Size	80 mm	100 mm	150 mm	200 mm	150 mm	200 mm	80 mm	100 mm	150 mm	200 mm						
Relief Settings (bar)																
Spring Specific Ranges	Min	Max	Min	Max	Min	Max	Min	Max	Min	Max	-	-	-	-		
	1.72	6.21	1.38	4.48	1.03	2.07	0.69	1.03	2.76	6.21	2.07	3.45	-	-	-	-
	4.83	13.79	4.14	10.00	1.72	4.14	1.03	2.07	6.21	11.03	3.45	5.52	-	-	-	-
Pressure Ranges	-	-	-	-	-	-	-	-	-	-	Options Available up to 13.8 bar, consult with us					
Lift / Opening	50 mm	50 mm	64 mm	76 mm	64 mm	76 mm	50 mm	50 mm	64 mm	76 mm						
Dimension A	229 mm	254 mm	292 mm	356 mm	292 mm	356 mm	229 mm	254 mm	292 mm	356 mm						
Dimension B	978 mm	1004 mm	1112 mm	1162 mm	641 mm	680 mm	572 mm	597 mm	648 mm	734 mm						
Dimension C	775 mm	775 mm	813 mm	813 mm	813 mm	813 mm	775 mm	775 mm	813 mm	813 mm						
Dimension D	121 mm	146 mm	191 mm	254 mm	387 mm	464 mm	121 mm	146 mm	191 mm	254 mm						

Other ranges available, consult with us  
Pneumatic operational ranges up to 200 psi / 13.8 bar.  
Consult your local representative, or factory, for higher pressures.

## A VARIETY OF MODELS TO CHOOSE FROM



# DYNAMIC LIFTER<sup>®</sup> PRESSURE RELIEF VALVE

## Specifications

### A106-DL SPRING

The sewage pressure relief valve shall be direct acting spring loaded angle style and shall open fully and quickly when the system pressure exceeds the valve set point.

The closing speed shall be adjustable. The valve is to close drip tight when pressure is below the set point.

A separation chamber and diaphragm shall transmit pressure to an opening piston to assist the opening forces.

Provision shall be made to readily connect external pressure and test cycle the valve opening to confirm the opening and closing, and the relief pressure. It will flush out materials that may be clogging the valve flow or causing a sticking stem or preventing drip tight closing. It shall assist in flushing dry pack on the downstream side of the valve. The maintenance test is to be clean and sanitary.

The construction is to be suitable for long life when used in a raw sewage environment.

Prior to shipping the standard factory test shall include cycling at full stroke at the requested relief setting, drip tight leakage test and over pressure shell test.

The Sewage Relief Valve shall be ANSI Class 150 / PN 16 flanges size \_\_\_ in / \_\_\_ mm. Spring range \_\_\_ psi / \_\_\_ bar to \_\_\_ psi / \_\_\_ bar factory set at \_\_\_ psi / bar. The valve shall have all the features and functions of the Singer Model A106-DL or approved equal.



REGION OF PEEL INSTALLATION - ONTARIO, CANADA

### A106-DL-AIR

The sewage pressure relief valve shall be compressed air actuated, angle style and open fully and quickly when the system pressure exceeds the valve set point. The closing speed is to be adjustable. The valve shall close drip tight when system pressure is below the valve set point.

A separation chamber and diaphragm shall transmit the system pressure (using mineral oil) to an accurate but easily adjustable hydraulic pilot.

Compressed air will be supplied by others at a pressure exceeding 100 psi / 6.9 bar to actuate a piston to close the valve.

Sewage system pressure above the set point shall cause the pilot to release air from the chamber that holds the sewage relief valve closed.

For a complete maintenance check it shall be possible to apply pressure to the separation chamber and check the opening pressure of the hydraulic pilot and the main valve.

A separate means of lowering the air pressure in the main chamber is to be provided for a quick flush cycle. It shall assist in flushing dry pack on the downstream side of the valve. The maintenance testing is to be clean and sanitary.

The construction is to be suitable for long life when used in a raw sewage environment.

Prior to shipping the standard factory tests shall include cycling at full stroke at the requested relief setting, drip tight leakage test and over pressure shell test of both the valve and air chamber.

The Sewage Relief Valve shall be ANSI Class 150 (PN 16) flanges, Size \_\_\_ in / \_\_\_ mm. Operating relief range \_\_\_ psi / \_\_\_ bar to \_\_\_ psi / \_\_\_ bar with air supply between 100 psi / 7 bar and 150 psi / 10.4 bar. Factory relief setting \_\_\_ psi / \_\_\_ bar.

The valve shall have all the features and functions of the Singer<sup>®</sup> Model A106-DL-Air or approved equal.



Scan for more  
information

**Disclaimer:** While every effort has been made to ensure that the information in this document is correct and accurate, users of Hygrade Water Infrastructure product or information within this document must make their own assessment of suitability for their particular application. Product dimensions are nominal only, and should be verified if critical to a particular installation. No warranty is either expressed, implied, or statutory made by Hygrade Water Infrastructure unless expressly stated in any sale and purchase agreement entered into between Hygrade Water Infrastructure and the user. **October 2024**

**+61 7 38059186**  
**hygradewater.com.au**

**BRISBANE** (Head Office) 42-44 Blue Eagle Drive, Meadowbrook, QLD 4131  
**SYDNEY** 2/35 Prime Dr, Seven Hills NSW 2147, Australia  
**MELBOURNE** 20A Frances Drive, Dandenong South 3175

**HW** **HYGRADE WATER**  
INFRASTRUCTURE